



Underbell(y) Integration Kit | JRC x KNOG

For use with JRC Components Computer Mounts

- Designed for JRC Components out-front computer mounts only.
- Not compatible with non-JRC mounts using 20mm hole spacing.
- Not compatible with JRC Twist-Switch TT mounts.
- Designed specifically for the 22.2mm KNOG Oi Prima bell.
- Not suitable for use with lights, cameras or additional devices.
- JRC computer mount not included.

Pack Contents:

- 1x CNC-machined JRC Underbell(y) Adaptor
- 1x 22.2mm KNOG Oi Prima Bike Bell
- 2x M3 adaptor fixing bolts
- 1x 2mm flat-ended hex key

Pre-installation Check:

Ensure that you have the supplied 2mm flat-ended hex key to hand.

Do not use a ball-end hex key, as this may enter the bolt head at a poor angle.

Locate the 2 vacant threaded bolt holes on the underside of your computer mount.

- If using a Garmin computer the required empty adaptor holes will be at 3 and 9 o' clock respectively.
- If using a Wahoo computer the required empty adaptor holes will be at 12 and 6 o' clock respectively.

Check that the bolt holes on the underside of the computer mount are clean and that the threads are undamaged.

Before attempting to fit the adaptor, check that the bell can be installed without fouling the handlebar, stem, cables, faceplate bolts or computer.

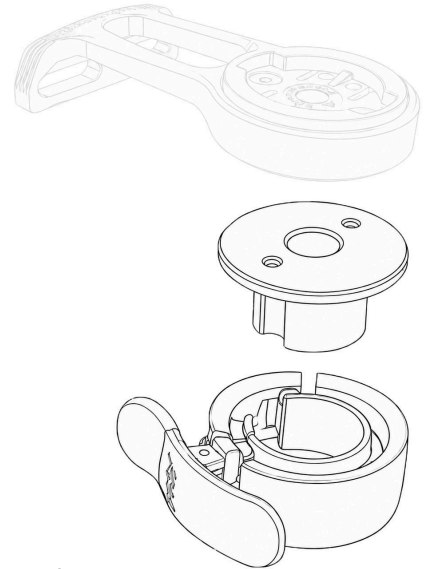
The bell can be rotated around the adaptor after installation to achieve the preferred trigger position.

Adaptor Installation:

Align the Underbell(y) Adaptor bolt holes with the required mounting holes depending on whether you are using a Garmin or Wahoo device.

Thread both countersunk bolts fully into place. Once the bolts begin to tighten, **use the short end of the supplied flat-ended hex key** to keep the tool square to the bolt head and avoid the poor entry angle that can occur when using the long end, reducing the risk of damaging or rounding out the bolt head.

Once both bolts are seated, check that the adaptor sits flush against the underside of the computer mount.



Bell Installation:

Fit the 22.2mm KNOG Oi Prima Bike Bell onto the Underbell(y) Adaptor.

Rotate the bell around the adaptor to the preferred position, ensuring it is easy to reach and able to ring freely without contacting the mount, handlebars, cables or computer.

Pre-Ride Check:

Before riding, recheck that the adaptor fixing bolts are secure and that the bell is securely clamped to the adaptor.

Ensure that the bell can ring freely and does not contact the computer, handlebar, stem, cables, frame or brake/gear hoses through the full range of steering.

Troubleshooting:

If the bell or adaptor is rattling or moving on the test ride, stop and recheck the bell, adaptor and mounting bolts.

If the bell cannot be securely tightened, remove it, check the 22.2mm interface and reinstall. Do not ride if the bell or adaptor appears loose.

If the bell tone is muted, confirm that the bell body and hammer are not touching the computer mount, cables or any other component.